

Motion detector

IS 360-3

black

EAN 4007841 006525

Article number 006525



infrared sensor
360°



max. 12 m

2000 W

2000 W max.
(LED-ready)



IP54



2 - 1000 lux



5 sec - 15 min



Ideal 2 m



energy saving

3 years

manufacturer's
warranty
[steinell.de/garantie3y](https://www.steinell.de/garantie3y)



CE

Function description

The multi-talent for indoors and outdoors. Infrared wall sensor IS 360-3, ideal for mounting under soffits, in carports, on large building facades and driveways, 3 pyro sensors for a 360° angle of coverage, reach can be set up to 12 m, selectable time and twilight threshold, detection zone can be customised with shrouds.

Motion detector**IS 360-3**

black

EAN 4007841 006525

Article number 006525

**Technical specifications**

Type	Motion detectors	Fluorescent lamps, uncorrected	500 VA
Dimensions (Ø x H)	121 x 57 mm	Fluorescent lamps, series-corrected	900 VA
Mains power supply	220 – 240 V / 50 – 60 Hz	Fluorescent lamps, parallel-corrected	400 VA
Sensor Technology	passive infrared	Switching output 1, low-voltage halogen lamps	2000 VA
Application, place	Outdoors, Indoors	LED lamps	100 W
Installation site	ceiling	LED lamps > 2 W	300 W
Installation	Surface wiring	LED lamps > 8 W	600 W
Mounting height	2,50 – 6,00 m	Capacitive load in µF	176 µF
Reach, radial	Ø 6 m (28 m ²)	Constant-lighting control	No
Reach, tangential	Ø 24 m (452 m ²)	Basic light level function	No
Detection angle	360 °	Settings via	Potentiometers
Angle of aperture	90 °	With remote control	No
Switching zones	972 switching zones	Interconnection	Yes
Optimum mounting height	2,8 m	Type of interconnection	Master/master
Mechanical scalability	No	IP-rating	IP54
Sneak-by guard	Yes	Material	Plastic
Capability of masking out individual segments	Yes	Ambient temperature	-20 – 50 °C
Electronic scalability	No	Application, room	outdoors, all round the building, Indoors
Twilight setting TEACH	No	Colour	black
Twilight setting	2 – 1000 lx	Colour, RAL	9005
Time setting	5 s – 15 Min.	Manufacturer's Warranty	3 years
Output	2000 W	Version	black
Switching output 1, resistive	2000 W	PU1, EAN	4007841006525
Switching output 1, number of LEDs / fluorescent lamps	8 pcs.	Technology, sensors	passive infrared, Light sensor
Fluorescent lamps, electronic ballast	1500 W		

Motion detector

IS 360-3

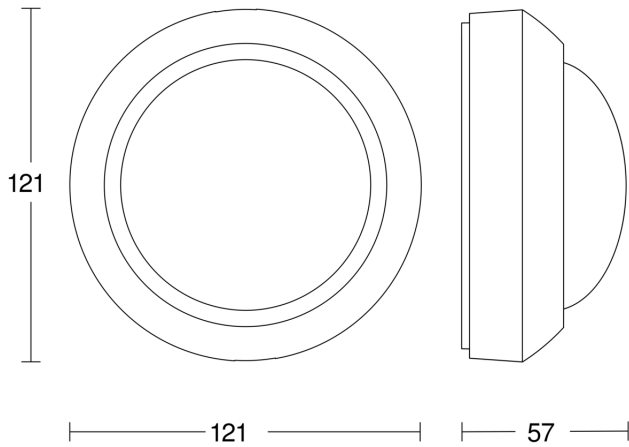
black

EAN 4007841 006525

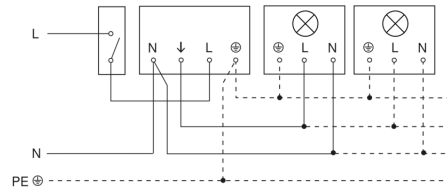
Article number 006525



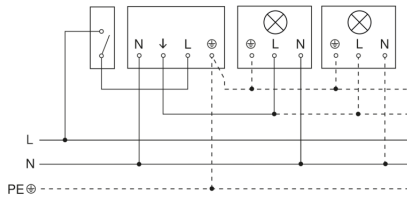
Dimension Drawing



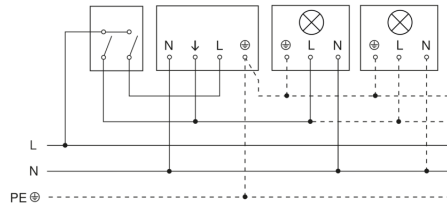
Light without neutral conductor



Light with neutral conductor



Connection using two-circuit switch for manual and automatic operation



Connection of 4-fold push-button coupler to DALI2 APC

