

Motion detector

IS 360-1 DE

black

EAN 4007841 032852

Article number 032852



infrared sensor
360°



max. 4 m

1000 W

1000 W max.
(LED-ready)



IP54



2 - 2000 lux



8 sec - 35 min



ideal 2,2 m



energy saving

3 years

manufacture's
warranty
[steinell.de/garantie3y](https://www.steinell.de/garantie3y)



CE

Function description

Intelligent technology for installation. Infrared wall sensor IS 360-1 DE, for indoors and out, ideal for installing in projecting roofs and suspended ceilings, 360° angle of coverage, reach can be set up to 4 m, selectable time and twilight threshold, detection zone can be customised with shrouds.

Motion detector

IS 360-1 DE

black

EAN 4007841 032852

Article number 032852



Technical specifications

Type	Motion detectors	Fluorescent lamps, uncorrected	500 VA
Dimensions (Ø x H)	78 x 89 mm	Fluorescent lamps, series-corrected	406 VA
Mains power supply	230 – 240 V / 50 – 60 Hz	Fluorescent lamps, parallel-corrected	406 VA
Sensor Technology	passive infrared	Switching output 1, low-voltage halogen lamps	1000 VA
Application, place	Outdoors, Indoors	LED lamps	16 W
Installation site	ceiling	LED lamps > 2 W	64 W
Installation	In-ceiling installation	LED lamps > 8 W	64 W
Mounting height	2,50 – 4,00 m	Capacitive load in µF	132 µF
Reach, radial	Ø 4 m (13 m ²)	Constant-lighting control	No
Reach, tangential	Ø 8 m (50 m ²)	Basic light level function	No
Detection angle	360 °	Settings via	Potentiometers
Angle of aperture	90 °	With remote control	No
Switching zones	304 switching zones	Interconnection	Yes
Optimum mounting height	2,5 m	Type of interconnection	Master/master
Mechanical scalability	No	IP-rating	IP54
Sneak-by guard	Yes	Material	Plastic
Capability of masking out individual segments	Yes	Ambient temperature	-20 – 40 °C
Electronic scalability	No	Application, room	outdoors, front door, all round the building, terrace / balcony, Indoors
Twilight setting TEACH	No	Colour	black
Twilight setting	2 – 2000 lx	Colour, RAL	9005
Time setting	8 s – 35 Min.	Manufacturer's Warranty	3 years
Output	1000 W	Version	black
Switching output 1, resistive	1000 W	PU1, EAN	4007841032852
Switching output 1, number of LEDs / fluorescent lamps	6 pcs.	Technology, sensors	passive infrared, Light sensor
Fluorescent lamps, electronic ballast	430 W		

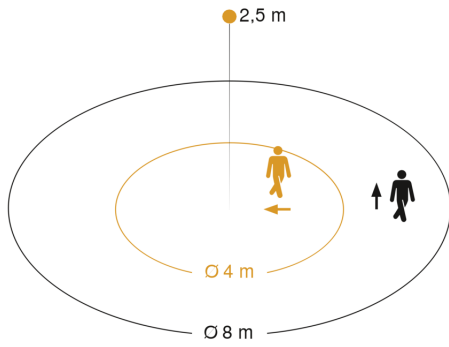
Motion detector

IS 360-1 DE

black
EAN 4007841 032852
Article number 032852

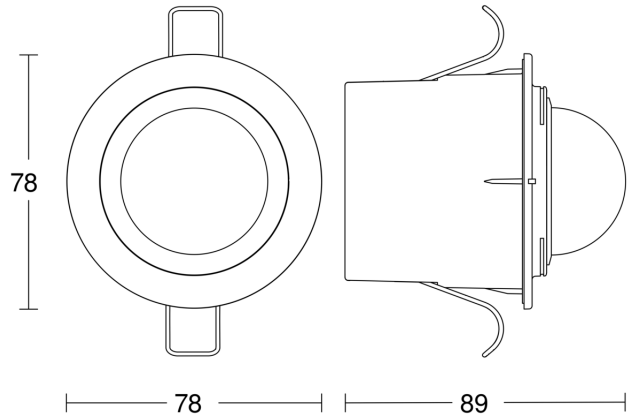


Detection Zone

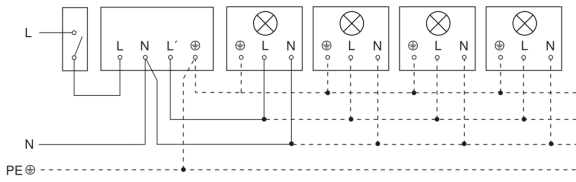


Mögliche Montagehöhe: 2,50 m – 4,00 m
Orange: radial
Schwarz: tangential

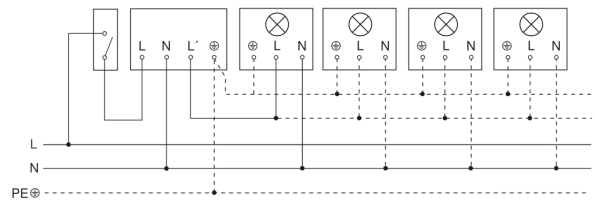
Dimension Drawing



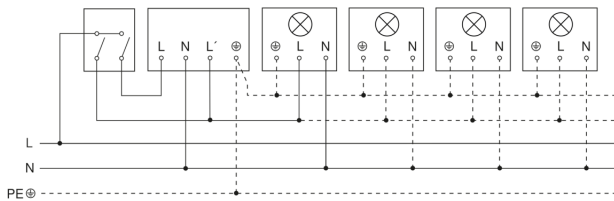
Light without neutral conductor



Light with neutral conductor



Connection using two-circuit switch for manual and automatic operation



Connection of 4-fold push-button coupler to DALI2 APC

