

## HUNZA PURE LED EAVE LITE

### INSTALLATION INSTRUCTIONS

**NOTE:** THESE INSTRUCTIONS MUST NOT CONTRAVENE YOUR LOCAL ELECTRICAL AUTHORITY REGULATIONS, WITH WHICH ALL INSTALLATIONS HERE IN MUST COMPLY.

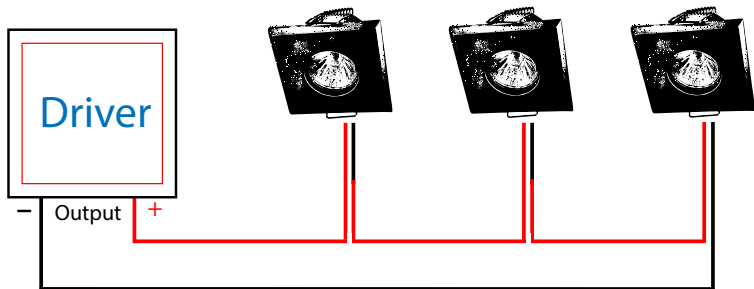
PLEASE KEEP INSTRUCTIONS FOR FUTURE REFERENCE.

**Note :** If not using a HUNZA™ driver - you must select a suitable constant-current driver. Decide what output is required in mA (350, 700, 1000), the LED requires a forward voltage of 6 vdc.

Do not disconnect the LED luminaire from secondary side of the the driver connected to the mains. Switch off mains FIRST then disconnect luminaire from the output side of the Do not water blast/jet wash this fixture under any circumstances.

Cut a 70mm (Ø70) hole in the ceiling. Connect lampholder cable to transformer. To achieve an IPX5 rating, run a bead of RTV / silicone around the lip of the mounting canister to form a waterproof seal. Bend the clips up to a vertical position, then feed the mounting canister through the pre-cut hole. Push Eave body and flange up into mounting canister until the flange comes flush with lip of canister.

Fixture wired in Series



### LED CHANGING

**CAUTION:** Make sure that the power to the luminaire is switched off before attempting to change the LED.

**LED Changing Sequence** (90mm and 105mm E-Lite)

Insert 2 narrow flat blades into the 2 grooves beneath the lip of the E-Lite that are 180° apart from each other. Gently pry the E-Lite away from the mounting canister in the ceiling.

## HUNZA PURE LED EAVE LITE LUMINAIRES

### INSTALLATION INSTRUCTIONS

**NOTE:** THESE INSTRUCTIONS MUST NOT CONTRAVENE YOUR LOCAL ELECTRICAL AUTHORITY REGULATIONS, WITH WHICH ALL INSTALLATIONS HERE IN MUST COMPLY.

PLEASE KEEP INSTRUCTIONS FOR FUTURE REFERENCE.

**Stainless Steel Maintenance:** To maintain the finish of 316 stainless steel it is recommended to wash the luminaire with fresh water from time to time to stop salt and corrosive elements building up. If tea staining appears, a commercially available stainless steel cleaner is recommended to remove this. Electro polishing is recommended in this situation but the fitting will still require regular maintenance. Even an electro polished stainless steel fixture under an eave or roof will suffer from the build up of salt deposits as it will not be washed away by rain.

**WARNING:** Recessed luminaires and their auxiliary equipment may pose a risk of fire or damage to property if not installed and maintained correctly.



**RISK OF FIRE** - Required clearance from structural members and building elements

SCB = 20mm

HCB = 20mm

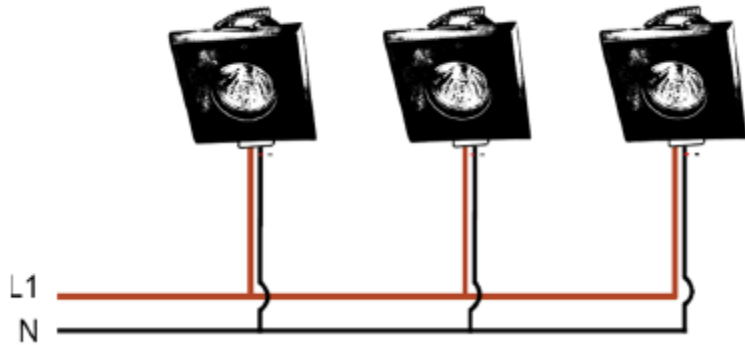
**NB:** SCB - Side Clearance to Building Element  
HCB - Height Clearance to Building Element

**HUNZA PURE LED RETRO™ EAVE LITE Round and Square (with built in electronic driver).**

**INSTALLATION INSTRUCTIONS**

**NOTE: THESE INSTRUCTIONS MUST NOT CONTRAVENE YOUR LOCAL ELECTRICAL AUTHORITY REGULATIONS, WITH WHICH ALL INSTALLATIONS HERE IN MUST COMPLY.**

Cut a 70mm (Ø70) hole in the ceiling. To achieve an IPX5 rating, run a bead of RTV/Silicon around the lip of the mounting canister to form a waterproof seal. Connect live input cable to white, black and green in the junction box on top of the canister. Bend the canister clips up to a vertical position, then feed the mounting canister through the pre-cut hole. Push body and driver up into canister till flange comes flush with lip of canister.



**Warning: Do not disconnect the LED luminaire from secondary side of the driver connected to the mains. Switch off mains FIRST then disconnect luminaire from the output side of the driver.**

**DO NOT** carry out a Megger or insulation test on a circuit with a RETRO™ luminaires connected to it.

**DO NOT** connect to any Electronic Home System without checking with the manufacturer that it is suitable to control the HUNZA™ luminaire. Use of a suppression interface module may be require for every six luminaires connected to the circuit.

**DO NOT** water blast/jet wash this fixture under any circumstances.

**Stainless Steel Maintenance**

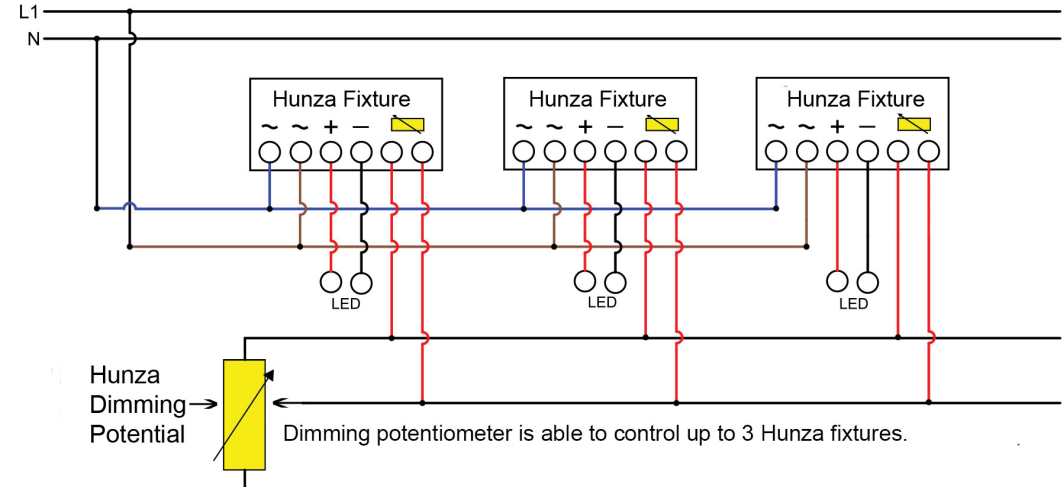
To maintain the finish of 316 stainless steel it is recommended to wash the luminaire with fresh water from time to time to stop salt and corrosive elements building up. If tea staining appears, a commercially available stainless steel cleaner is recommended to remove this. Electro polishing is recommended in this situation but the fitting will still require regular maintenance. Even an electro polished stainless steel fixture under an eave or roof will suffer from the build up of salt deposits as it will not be washed away by rain.

**HUNZA PURE LED RETRO™ EAVE LITE Round and Square (with built in electronic driver).**

**INSTALLATION INSTRUCTIONS**

**NOTE: THESE INSTRUCTIONS MUST NOT CONTRAVENE YOUR LOCAL ELECTRICAL AUTHORITY REGULATIONS, WITH WHICH ALL INSTALLATIONS HERE IN MUST COMPLY.**

**0-10 volt Dimming - Wiring Diagram**



**RISK OF FIRE - Required clearance from structural members and building elements**

SCB = 20mm

HCB = 20mm

**NB:** SCB - Side Clearance to Building Element  
HCB - Height Clearance to Building Element