

HUNZA PURE LED EURO WALL SPOT, PAGODA LITE, TWIN WALL SPOT, WALL SPOT, WALL DOWN LITE, PILLAR LITE, TIER LITE WALL MOUNT, BORDER LITE WALL MOUNT, SIGN LITE, TWIN SIGN LITE

INSTALLATION INSTRUCTIONS

NOTE: THESE INSTRUCTIONS MUST NOT CONTRAVENE YOUR LOCAL ELECTRICAL AUTHORITY REGULATIONS, WITH WHICH ALL INSTALLATIONS HERE IN MUST COMPLY. PLEASE KEEP INSTRUCTIONS FOR FUTURE REFERENCE.

Due to the many different surfaces on buildings to which luminaires can be affixed, it is not possible to supply a gasket that will seal on brick, concrete, wood etc. Hence we advise using a silicone sealant that will not only adhere to the Wall Luminaire but also bond to the surface to which the fitting is fixed. Make a waterproof connection using heavy walled adhesive lined heat shrink. Make sure to use the rubber washers supplied under the mounting screws to stop water leaking into the base of the luminaire. If there is any possibility of water leaking down the cable track, the cable entry point must be waterproof sealed.

LAMP CHANGING

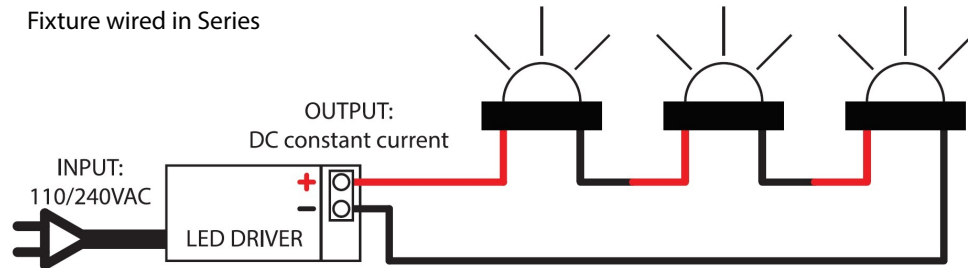
CAUTION: Make sure that the power to the luminaire is switched off before attempting to change the LED.

Note : If not using a HUNZA™ driver - you must select a suitable constant-current driver. Decide what output is required in mA (350, 700, 1000), the LED requires a forward voltage of 6 vdc. Border Lite requires 350 or 700mA and 3vdc forward voltage.

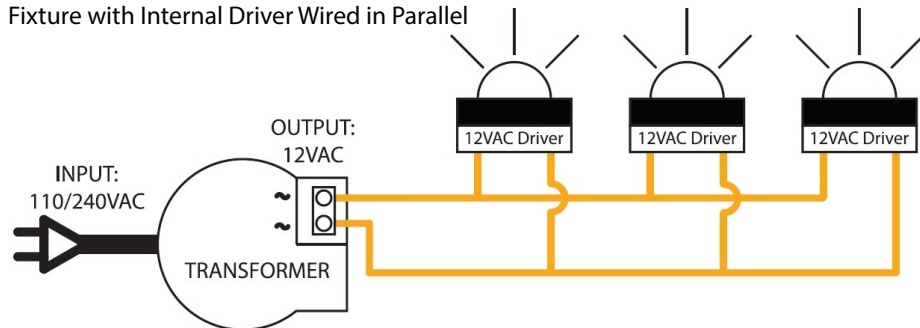
Warning: Do not disconnect the LED luminaire from secondary side of the the driver connected to the mains. Switch off mains FIRST then disconnect luminaire from the output side of the driver.

Do not water blast/jet wash this fixture under any circumstances.

Fixture wired in Series



Fixture with Internal Driver Wired in Parallel



If luminaire is supplied with a mounting plate, apply sufficient silicon sealant to the groove on the back of the mounting plate to seal against the wall. Fit cables through 25mm hole (If mounted on porous material e.g. mortar or if there is any possibility of water leaking down the cable track, the cable must be sealed around the 25mm hole in the backplate to stop the water building up). Mount the backplate onto the wall. Connect the phase (active) wire, the neutral wire and earth wire to the input cable of the luminaire. Assemble the luminaire onto the mounting plate and use screws provided to secure luminaire. Make sure to use the washers supplied under the mounting screws to stop water leaking into the luminaire. If there is any possibility of water leading down the cable track, it must be made waterproof.

LED Changing Sequence

When replacing gasket and lens, make sure there is no dirt or grit on the gasket. Dirt or grit on the gasket may cause luminaire to leak.

Gasket and lens sequence (Not Euro Wall Spot Lite)

Place lens on top of lamp and put orange gasket on top of lens. Screw on lens ring.

GLARE GUARD INSTALLATION (NOT EURO WALL SPOT LITE)

Carefully remove lens ring making sure not to drop the glass lens and cause damage to it, keeping gasket in place. Hold body of luminaire tightly and screw Glare Guard ring onto light luminaire. Still holding body of luminaire tightly rotate glare guard to desired position.

Recommendation:

Run all low voltage cables in flexible conduit for extra protection. Use Hunza Cable Joint Kit CJK#150.

Warning: Make sure there is no possibility of water leaking down the cable track into the back of this luminaire. For pergola or wall mounting, a drip loop in the supply cable will allow water to collect and drop from a point lower than the luminaire.

Stainless Steel Maintenance: To maintain the finish of 316 stainless steel it is recommended to wash the luminaire with fresh water from time to time to stop salt and corrosive elements building up. If tea staining appears, a commercially available stainless steel cleaner is recommended to remove this. Electro polishing is recommended in this situation but the fitting will still require regular maintenance. Even an electro polished stainless steel fixture under an eave or roof will suffer from the build up of salt deposits as it will not be washed away by rain.

Warning: We recommend when connecting to photocells and timers that the outputs of these devices be a relay output and not an electronic output. This is due to the high frequency output of these devices which can lead to failure of the internal driver.