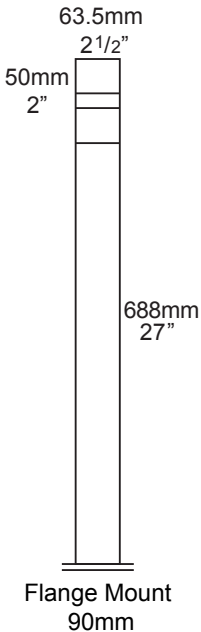
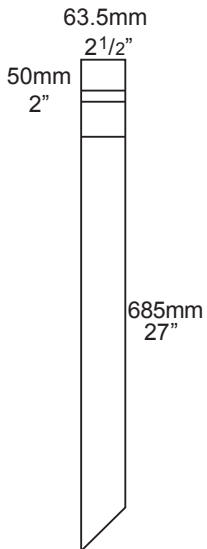
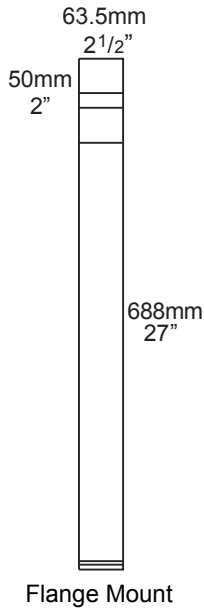


Bollard 700

- Cat. No. BOL700
- Cat. No. BOL700/R
- Cat. No. BOL700FM
- Cat. No. BOL700FM90
- Cat. No. BOL700GU



The Bollard 700 is ideal for garden edges, driveways, walkways and carparks. The acrylic lens reflects light at two angles through an anti-glare mesh directly onto the ground and horizontally to illuminate the surrounding landscape.

The Retro version, which is a mains option, avoids the need to bury a transformer. The 120/240-12 volt electronic transformer is built into the pole and is a double insulated safety isolating transformer.

A GU10 version of this luminaire is also available for line voltage lamps.

Ordering Information

| Luminaire Type | Material/Finish | Accessories |
|---|----------------------|---------------------------|
| BOL700 - Bollard 700mm | BK - Black | CJK150 - Cable Joint Kit |
| BOL700/R - Bollard 700mm Retro | BZ - Bronze | HOOD140 - Anti Glare Hood |
| BOL700FM - Bollard 700mm Flange Mount | CT - Corten | LENSBOLOP - Opaque Lens |
| BOL700FM90 - Bollard 700mm 90mm External Flange Mount | DG - Dark Grey | |
| BOL700GU - Bollard 700mm GU10 | OG - Olive Green | |
| | STAR - Silver Star | |
| | WB - White Birch | |
| | WH - White | |
| | COP - Copper | |
| | SS - Stainless Steel | |

Ordering example: BOL700 BK - Bollard 700 in Black
 BOL700/R CT - Bollard 700 Retro in Corten
 BOL700FM WB - Bollard 700 Flange Mount in White Birch
 BOL700FM90 COP - Bollard 700 90mm External Flange Mount in Copper
 BOL700GU SS - Bollard 700 GU10 in Stainless Steel
 HOOD140 BZ - Anti Glare Hood in Bronze
 (accessories ordered separately)

Luminaire Construction

CNC machined from one of the following metals:

Aluminium

High corrosion resistant aluminium with chromate substrate and high UV resistant polyester powder coat.

Body: 63.5mm (2½") x 10mm (3/8") tube.
End cap: solid aluminium 63.5mm (2½") rod.

Pole: 63.5mm (2½") 620mm (24½") aluminium tube.

Colours:

Black, Bronze, Corten, Dark Grey, Olive Green, Silver Star, White, White Birch.

Copper

Body: 63.5mm (2½") x 10mm (3/8") tube.

End cap: solid copper 63.5mm (2½") rod. Pole: 63.5 (2½") 620mm (24½") copper tube.

316 Stainless Steel

Body: 63.5mm (2½") x 10mm (3/8") tube.

End cap: solid 316 stainless steel 63.5mm (2½") rod.

Pole: 63.5 (2½") 620mm (24½") stainless steel tube.

Features

Lens

UV stable polycarbonate with anti-glare mesh and dual reflector projects light horizontally and at a 45° angle onto the ground.

Gasket

Silicone, iron impregnated 220°C (428°F).

Lamp Holder

MR16 & GU10 - 350°C (662°F) ceramic multi contact lamp holder with 250°C (480°F) Teflon cables.

Accessories

Cable Joint Kit (Cat. CJK150). Not approved for USA/Canada.


Anti-Glare Hood (Cat. HOOD140).

Opaque Lens (Cat. LENSBOLOP).

Mounting

Set in concrete in the ground or specify with flange mount option, which bolts into concrete, tiling or wooden decks.

Standards

IP56/66, AS/NZS 61046, UL1838, 

Luminaire Weight

12 volt - **Aluminium** - 1.510kg (3lb 5oz)

Copper - 3.990kg (8lb 12oz)

Stainless Steel - 3.770kg (8lb)

Retro - **Aluminium** - 2.700kg (5lb 15oz)

Copper - 5.200kg (11lb 7oz)

Stainless Steel - 4.650kg (10lb)

Power Supply

12 volt - Hunza Inground or Wall Mount Transformer: not included.

USA and Canada

Hunza Wall Mount Transformer: not included.

Retro - Hunza 110/240-12 volt ac potted electronic transformer built into the pole. Dimmable with a suitable dimmable.

Lamp Options

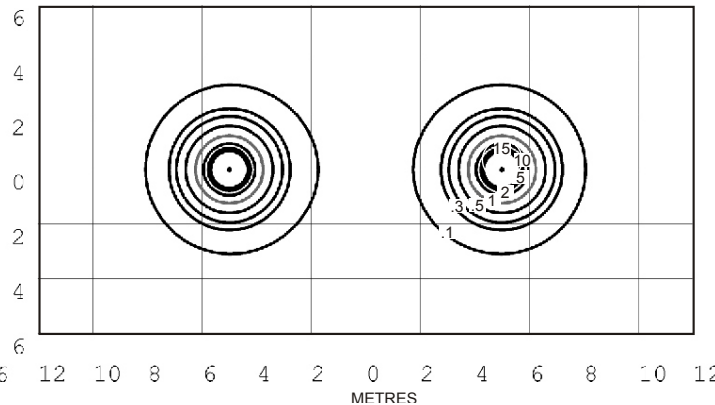
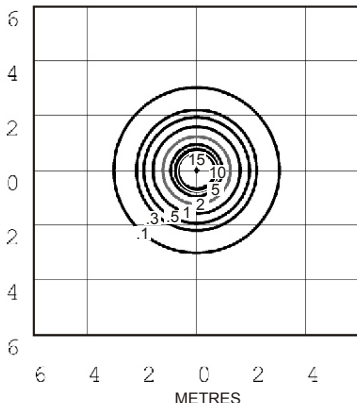
MR16 - 20, 35 or 50 watt lamp max.

GU10 - 25 or 35 watt lamp max.

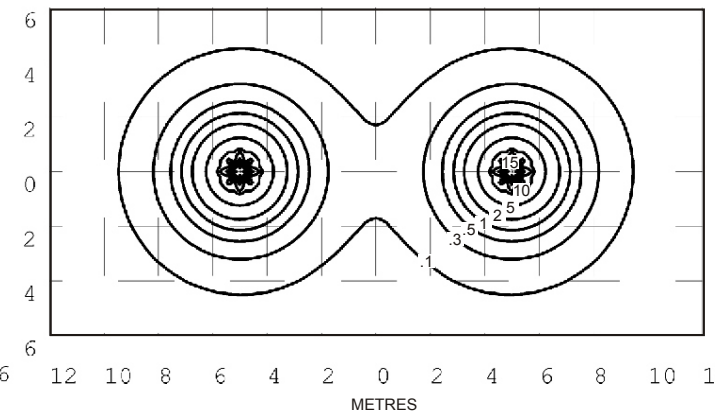
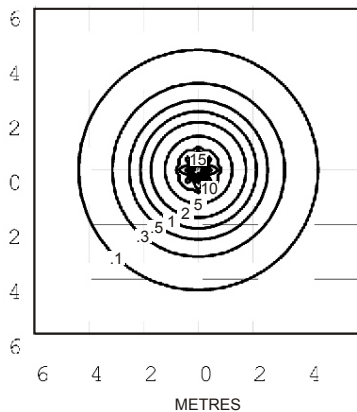
USA/Canada

MR16 - 20, 35 or 50 watt lamp max.

GU10 - lamp not supplied.



MR16 ESX 20watt lamp - Lens height 300mm (12")



MR16 EXT 50watt lamp - Lens height 300mm (12")

Isolux Lumens Plot -
Footcandles =
Isolux figures divided by 10.76

HUNZA™ PURE OUTDOOR LIGHTING

HUNZA FACTORY
130 Felton Mathew Ave
Glen Innes
Auckland 1072
New Zealand

Ph: 64-9-528 9471
Fax: 64-9-528 9361
hunza@hunza.co.nz
www.hunzalighting.com

INTERNATIONAL CONTACTS:
<http://www.hunzalighting.com/contact.php>
Specification may change without notice.
Manufactured in New Zealand.
© 2016 Hunza Holdings Ltd.