

Fern Lite

Cat. No. FN

Cat. No. FNG9

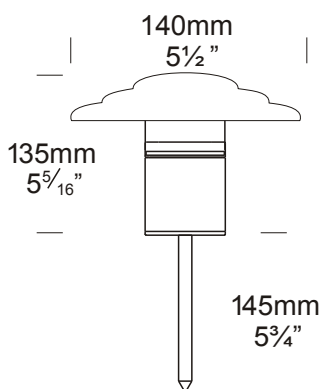


The Fern Lite is suitable for illumination of low level foliage. Light is emitted on a horizontal plane through UV stable acrylic lens with anti-glare mesh around 360 degrees. The luminaire uses a 5, 10 or 20 watt halogen bi-pin lamp and does not project any vertical light due to the anti-glare hood. The Fern Lite with no hood projects very little light due to the lens cap.

This luminaire is machined from a choice of 10mm solid aluminium with a UV stable powder coated finish, 316 stainless steel or solid copper.

A G9 version of this luminaire is also available for line voltage lamps.

Ordering Information



Luminaire Type	Material/Finish	Accessories
FN - Fern Lite FNG9 - Fern Lite G9	BK - Black BZ - Bronze CT - Corten DG - Dark Grey OG - Olive Green STAR - Silver Star WB - White Birch WH - White COP - Copper SS - Stainless Steel	CJK150 - Cable Joint Kit /300 - Ground Spike 300mm (12")

Ordering Example: FN COP - Fern Lite in Copper
FN/300 BK - Fern Lite with 300mm (12") Ground Spike in Black
FNG9 SS - Fern Lite G9 in Stainless Steel
CJK150 - Cable Joint Kit
(accessories ordered separately)

Luminaire Construction

CNC machined from one of the following materials:

Aluminium

Body: Solid high corrosion resistant 63.5mm (2½") x 10mm (3/8") aluminium tube.

End cap: solid aluminium 63.5mm (2½") rod, with chromate substrate and high UV resistant polyester powder coat.

Spike: 11.11mm (7/16") aluminium rod.

Hood: 140mm (5½") x 1.2mm (1/16") hand spun aluminium.

Colours:

Black, Bronze, Corten, Dark Grey, Olive Green, Silver Star, White, White Birch.

Copper:

Body: 63.5mm (2½") x 10mm (3/8") tube.

End cap: solid copper 63.5mm (2½") rod.

Spike: 11.11mm (7/16") copper rod.

Hood: 140mm (5½") x 1.2mm (1/16") hand spun copper.

316 Stainless Steel

Body: 63.5mm (2½") x 10mm (3/8") tube.

End cap: solid 316 stainless steel 63.5 (2½") rod.

Spike: 11.11mm (7/16") 316 stainless steel rod.

Hood: 140mm (5½") x 1.2 mm (1/16") 316 stainless steel.

Mounting

Ground spike 150mm (6") or 300mm (12") directly into the earth.

Features

Lens

UV stable polycarbonate with anti-glare mesh.

Anti-Glare Hood

140mm (5½"). No upward light or glare projected.

Gasket

Silicone impregnated 220°C (428°F).

Lamp Holder

G4 - 350°C (662°F) ceramic multi contact lamp holder with 250°C (480°F) Teflon cables.


G9 - 280°C (536°F) ceramic lamp holder with 250°C (480°F) Teflon cables.

Accessories

Cable Joint Kit (Cat. CJK150).

Ground Spike 300mm (12") (Cat. /300)

Standards

IP66, UL1838, 

Luminaire Weight

Aluminium - 0.750kg (1lb 10oz)

Copper - 1.160kg (2lb 1oz)

Stainless Steel - 1.400kg (3lb 1oz)

Power Supply

Hunza Inground or Wall Mount

Transformer: not included.

USA and Canada

Hunza Wall Mount Transformer: not included.

Lamp Options

G4 - 5, 10 or 20 watt lamp max.

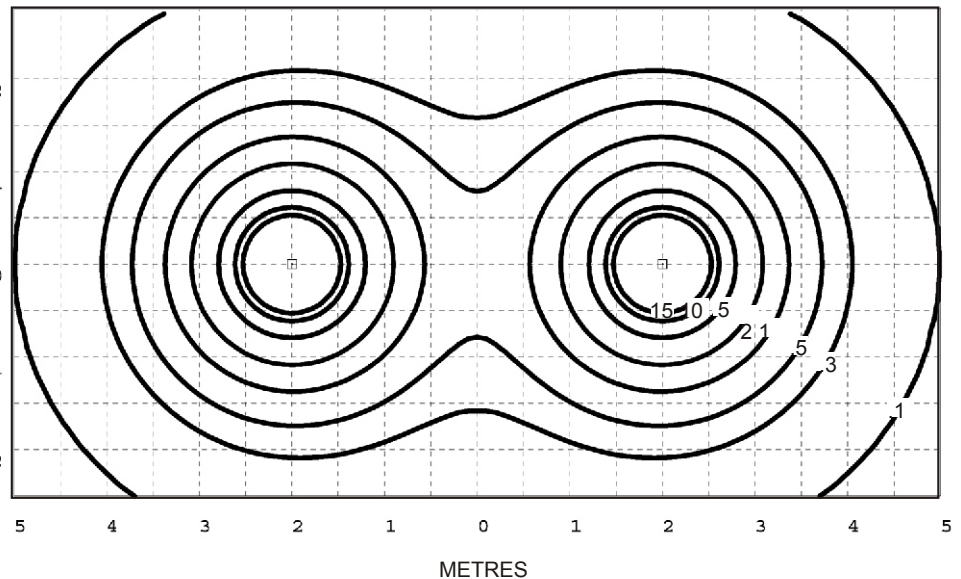
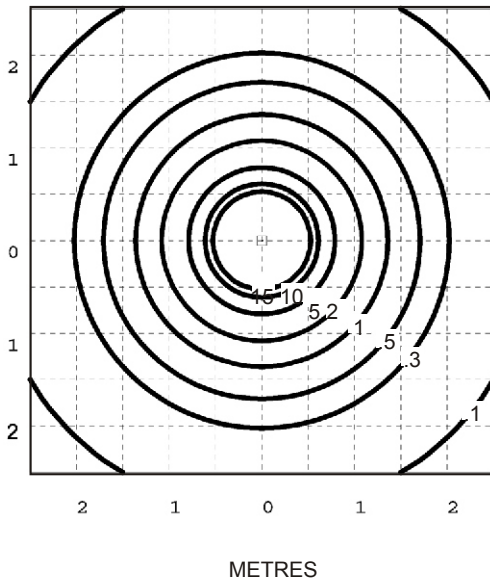
G9 - 25 watt lamp max.

USA and Canada

G4 - 5 or 10 watt lamp max.

G9 - 25 watt lamp max.

Fern Lite 20 watt G4 Bi-Pin lamp - Lens height 100mm (4") (with anti-glare hood)



Isolux Lumens Plot - Footcandles = Isolux figures divided by 10.76

HUNZA™ PURE
OUTDOOR
LIGHTING

HUNZA FACTORY
130 Felton Mathew Ave
Glen Innes
Auckland 1072
New Zealand

Ph: 64-9-528 9471
Fax: 64-9-528 9361
hunza@hunza.co.nz
www.hunzalighting.com

INTERNATIONAL CONTACTS:
[http://www.hunzalighting.com/
contact.php](http://www.hunzalighting.com/contact.php)
Specification may change without notice.
Manufactured in New Zealand.
© 2016 Hunza Holdings Ltd.