



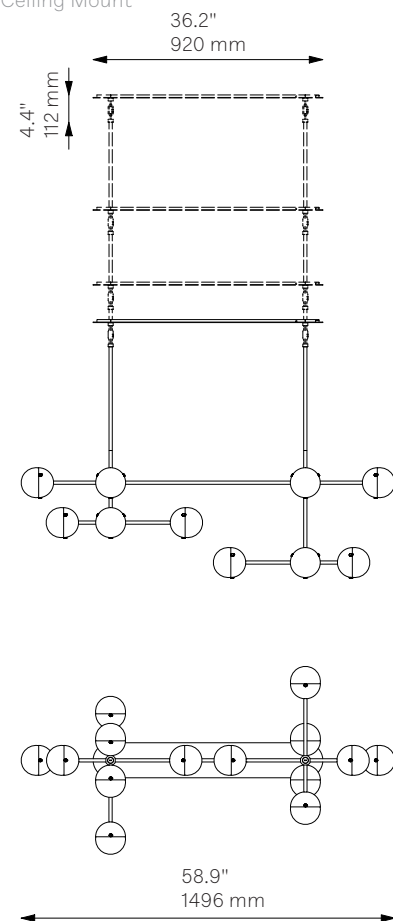
Molecule Linear ^{New}

Chandelier - B269

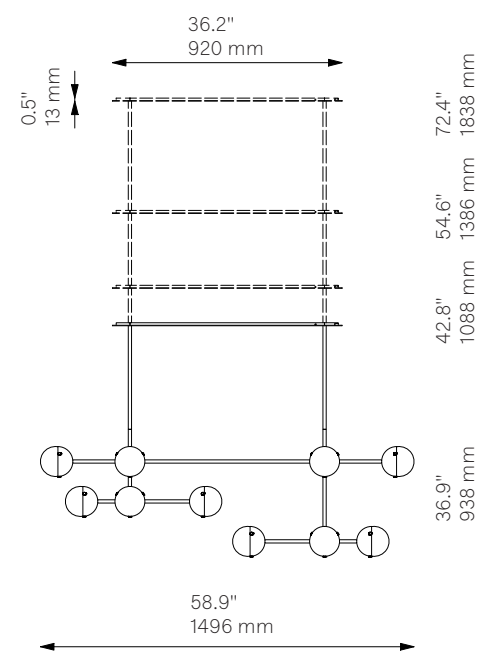
Molecule Collection

Schwung Product Information

Vaulted Ceiling Mount



Fixed Mount



Glass Lampshades	14 x Ø 120 mm / Ø 4.7"
	¹ Borosilicate Transparent Glass
	² Borosilicate Transparent Glass (sandblasted inside)

Weight	14.2 kg / 31.3 lb
---------------	-------------------

Light Source	LED Bulb (included)	14 x 5 W
	Max Wattage	14 x 10 W
	Total Lumens	6300-7000 lm
	Color Temperature	2700 K
	Bulb Base	E27 / E26
	Power Supply	230/120V CE/UL

Dimmable with electronic dimmers only (ELV, trailing edge)

Finishes	LBB / Lacquered Burnished Brass
	BGM / Black Gunmetal

Extension Rods (Included)	2 x 150 mm	2 x 300 mm	2 x 450 mm
	2 x 5.9"	2 x 11.8"	2 x 17.7"

Canopy (Vaulted Ceiling Compatible)	W 920 mm	D 140 mm	H 13 mm
	W 36.2"	D 5.5"	H 0.5"

CE/UL Certified	CE/UL
------------------------	-------

Ingress Protection	IP 20
---------------------------	-------