

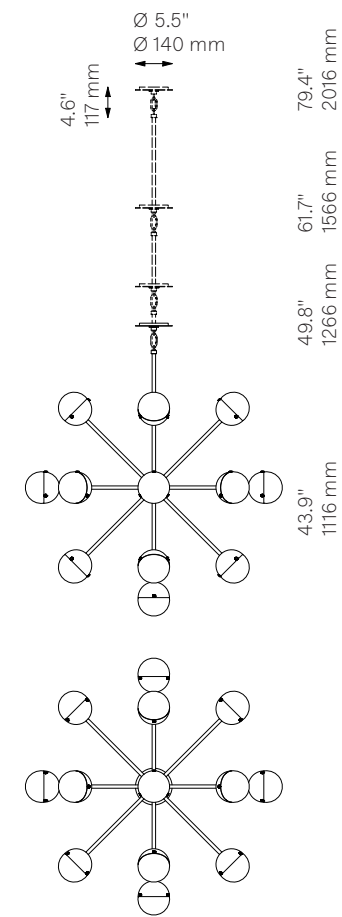


Molecule Spark Round 17 ^{New}

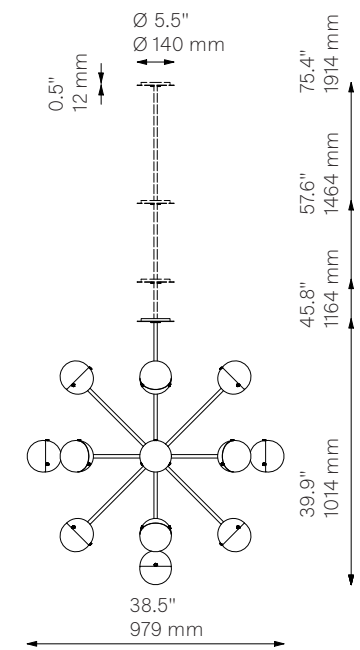
Chandelier - B222

Molecule Collections

Vaulted Ceiling Mount



Fixed Mount



Glass Lampshades

17 x Ø 120 mm / Ø 4.7"

¹ Borosilicate Transparent Glass

² Borosilicate Transparent Glass (sandblasted inside)

Weight

14.2 kg / 31.3 lb

Light Source

LED Bulb (included) 17 x 5 W
 Max Wattage 17 x 10 W
 Total Lumens 7650-8500 lm
 Color Temperature 2700 K
 Bulb Base E27 / E26
 Power Supply 230/120V CE/UL

Dimmable with electronic dimmers only (ELV, trailing edge)

Finishes

LBB / Lacquered Burnished Brass
 BGM / Black Gunmetal

Extension Rods (Included)

1 x 150 mm 1 x 300 mm 1 x 450 mm
 1 x 5.9" 1 x 11.8" 1 x 17.7"

Canopy (Vaulted Ceiling Compatible)

Ø 140 mm H 12 mm / Ø 5.5" H 0.5"

CE/UL Certified

CE/UL

Ingress Protection

IP 20