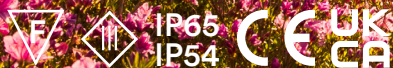


erluna

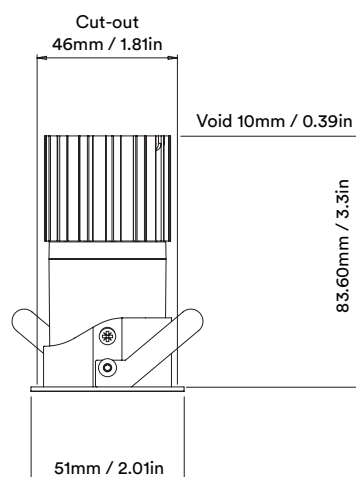
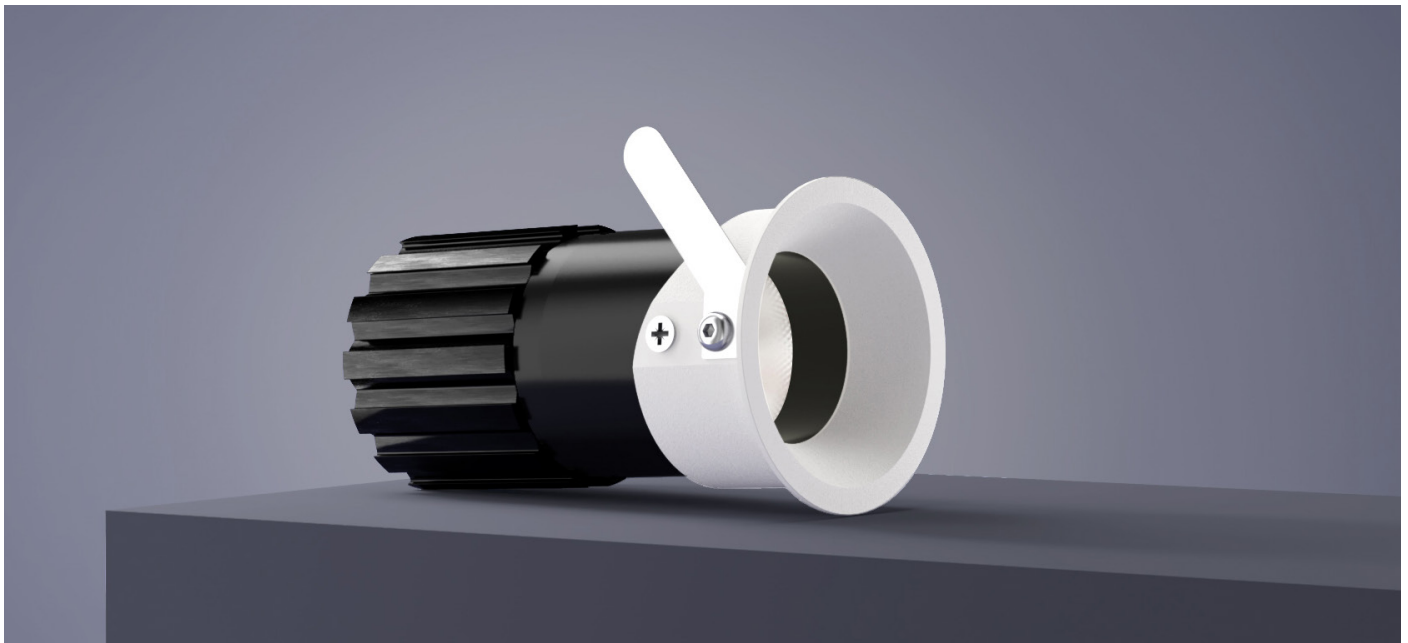
suri mini fixed
origin natural

circular product



suri mini fixed origin natural

circular product



**Unit height increases by
12mm / 0.48in for SPOT and
both ELLIPTICAL BEAMS**

suri mini fixed origin natural

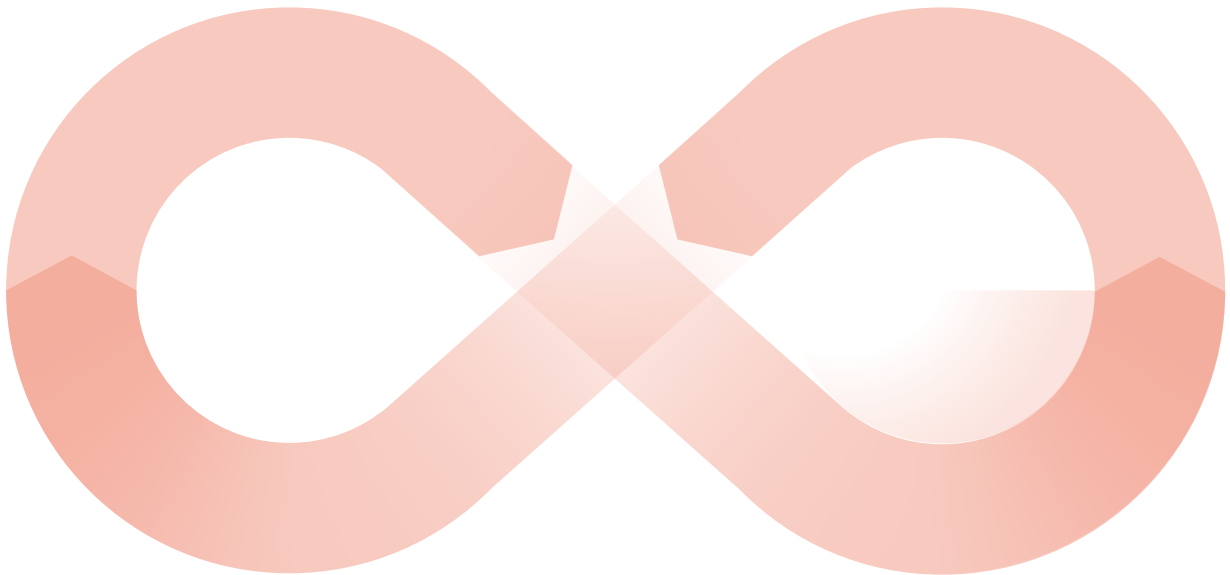
circular product

When an old Orluna light comes to the end of its life, or is faulty, instead of throwing it away, we kindly ask you to return it to us.

1

The fully repaired and tested product enters back into our stock –with a brand new warranty.

3

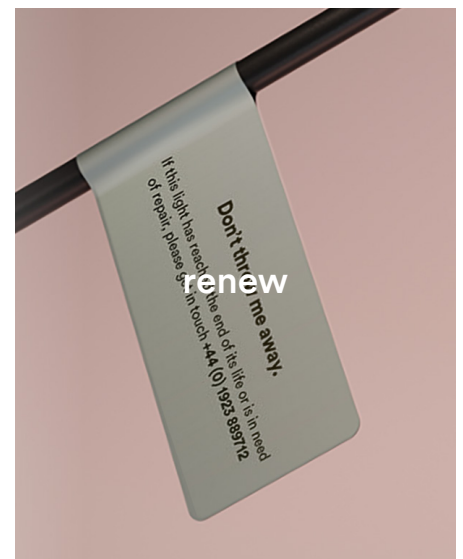


The 'new' light fitting is despatched to a new customer.

4

Once we've received the unwanted or faulty fitting, it's dismantled, repaired and renewed with a new LED and PCB.

2



suri mini fixed origin natural

circular product

		2700K					
		SPOT	CRISP		SOFT	SPECIALITY	
LIGHT VALUES	Beam Width FWHM	Spot 15°	Medium 18°	Wide 30°	Wash 35°	Elliptical 10x45°	Elliptical 20x40°
	Initial Lumens	521	521	521	521	521	521
	Engine Lumens	207	462	462	417	222	290
	Luminaire Lumens	148	283	265	236	87	101
	Engine Lm/W	39	87	87	78	41	54
	Luminaire Cd	1706	1984	909	589	310	589
	POWER	Voltage	17.6V				
Drive Current		300mA					
Circuit Power (typ)		5.3W					

		3000K					
		SPOT	CRISP		SOFT	SPECIALITY	
LIGHT VALUES	Beam Width FWHM	Spot 15°	Medium 18°	Wide 30°	Wash 35°	Elliptical 10x45°	Elliptical 20x40°
	Initial Lumens	567	567	567	567	567	567
	Engine Lumens	236	483	475	442	192	176
	Luminaire Lumens	148	299	278	248	105	125
	Engine Lm/W	44	91	90	83	36	33
	Luminaire Cd	1849	2200	1000	615	328	610
	POWER	Voltage	17.6V				
Drive Current		300mA					
Circuit Power (typ)		5.3W					

Binning SDCM (Hot)	2	
CRI (typ)(R9)	98 (99)	
TM30 Rf Rg	Rf 97.7 Rg 100.4	
Lifetime (TM21)	L90 B5 50,000hrs (inc driver)	
Lifetime (Calculated)	L70 426,000hrs	
DRIVER	Protocols	Mains Dim / DALI / 0-10V / Non-dim
	Dim to Dark	0.1% Lux
	Distance from LED	20m / 65' (series wiring)
	Emergency	Emergency packs available

SPECIFICATION CODE

Engine type	Bezel	Colour Temp	Driver	Beam Width	Bezel Colour	Baffle Colour	Options
NL	SUFM	27	M	M	W	BB	F 54
		27 / 2700K 30 / 3000K 40 / 4000K*	M / Mains Dim D / DALI *0 / 0-10v N / Non Dim X / No Driver	M / Medium W / Wide T / Soft S / Spot L / Elliptical Linear O / Elliptical Oval	W / White 9010 (STD) D / White 9003 E / White 9016 B / Black 9005 C / Other RAL G / Polished Brass J / Antique Bronze K / Brushed Chrome L / Polished Chrome Z / Other Metallic	BB / Black 9005 (STD) WB / White 9010 DB / White 9003 EB / White 9016 CB / Other RAL MB / Polished Brass JB / Antique Bronze KB / Brushed Chrome LB / Polished Chrome ZB / Other Metallic	F / 60 min Fire Rated Plate 54 / IP54 65 / IP65 P / Sea & Spa IP65 *C / Constant Torsion H / Honeycomb N / Frosted Lens Z / LSZH Cable K / Click Connector
		*NOTE: increase 3000k by 7%	*NOTE: 0-10V driver does not fit through cut out, other drivers fit through the cut-out. Supplied with one driver per luminaire.				*NOTE: Fire Hood if used with constant torsion springs.

08/08/22